

Tous droits strictement réservés. Reproduction ou communication a des tiers interdite sous quelque forme que ce soit sans autorisation écrite du propriétaire. Propriété de c FCI. Droits de reproduction FCI.

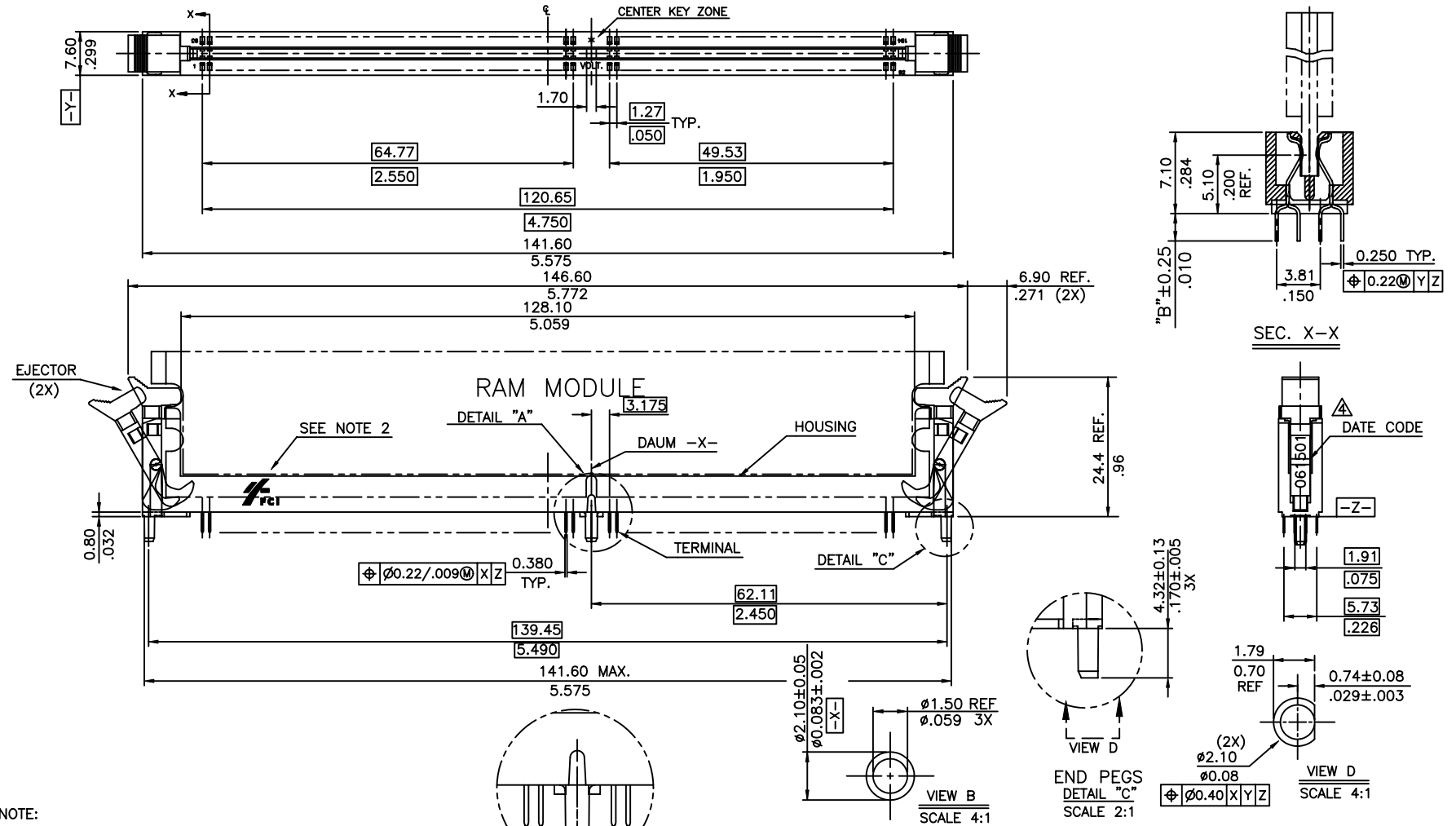
All rights strictly reserved. Reproduction or issue to third parties in any form whatever is not permitted without written authority from the proprietor. Property of FCI. Copyright FCI.

FCI

1 | 2

3 |

4



NOTE:

- MATERIAL:
HOUSING: NYLON 46 OR APPROVED EQUIVALENT, GLASS FILLED UL94V-0 RATED, COLOR BLACK.
EJECTOR: NYLON 46 OR APPROVED EQUIVALENT, GLASS FILLED UL94V-0 RATED, COLOR NATURAL.
TERMINAL: COPPER ALLOY.
- FCI LOGO TO BE APPROXIMATELY LOCATED AS SHOWN ON PRINT.
- PRODUCT SPECIFICATION: GS-12-146
⚠ THE DATE CODE IS SHOWN "MM-DD-YY" FOR CUSTOMER SPECIAL REQUEST.
- THIS PRODUCT MEETS EUROPEAN UNION DIRECTIVES AND OTHER COUNTRY REGULATIONS AS DESCRIBED IN GS-22-008.
- THE HOUSING WILL WITHSTAND EXPOSURE TO 260° PEAK TEMPERATURE FOR 10 SECONDS IN A WAVE SOLDER APPLICATION.

mat'l. code				tolerances unless otherwise specified		CUSTOMER COPY		 www.fciconnect.com	
ltr	ecn no	dr	date	.X ± 0.38/.015		projection		title	
A	T03-0179	M W	05/16/03	.XX ± 0.25/.010				DDR 184P V/T ASS'Y PLASTIC POST(FOR INTEL)	
B	T03-0435	M W	10/01/03	.XXX ± 0.15/.005		MM		product family DDR	
C	T05-0159	R C	07/22/05	0° ± 2°		scale 1:1		size A4	
				dr	MAGGIE WU	12/11/02	code		
				enr	JEFF.HSIEH	12/11/02	sheet		TWN
				chr	JEFF.HSIEH	12/11/02	dwg no		1 of 3
				appd	JENN TSAO	12/11/02	10020410		
sheet	revision	C	A	C					
index	sheet	1	2	3					

1 | 2

3 |

4

ACAD

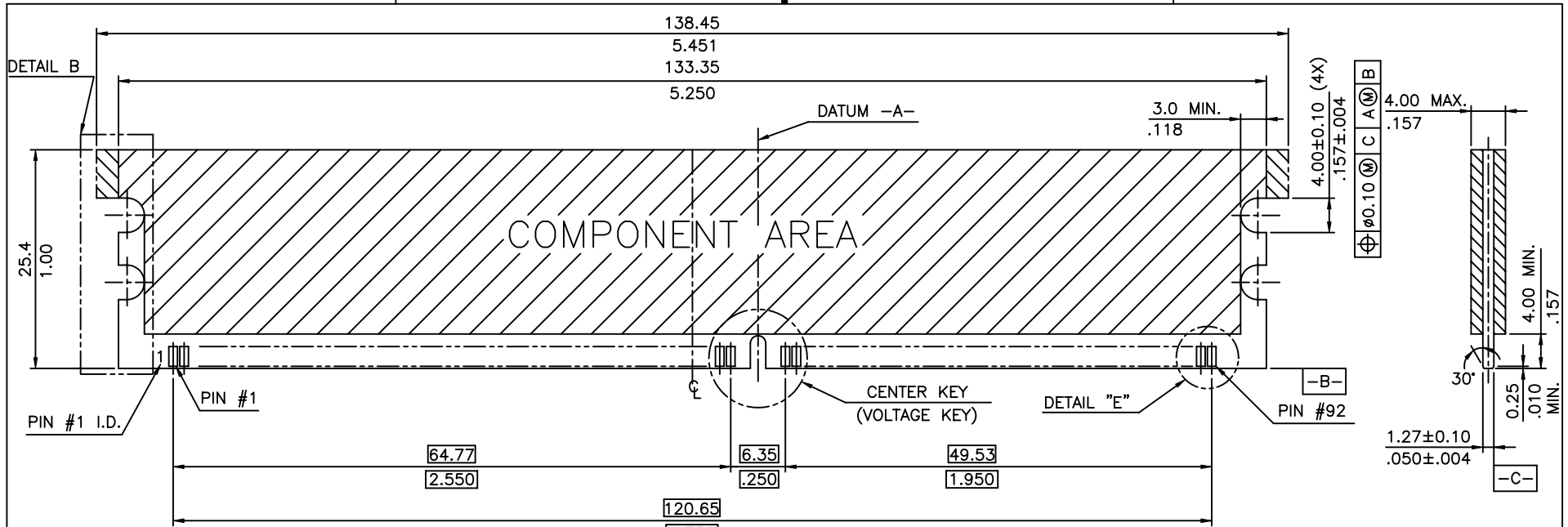
PDM: Rev:C

STATUS: Released

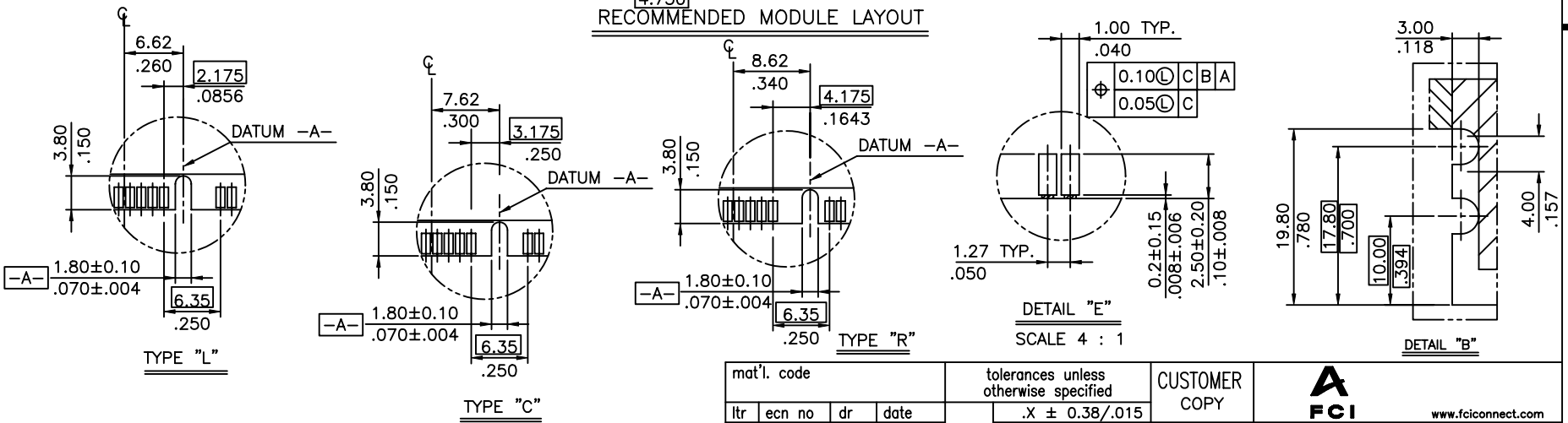
cage code 22526
Printed: Jan 23, 2010

Tous droits strictement réservés. Reproduction ou communication a des tiers interdite sous quelque forme que ce soit sans autorisation écrite du propriétaire. Propriété de c FCI. Droits de reproduction FCI.

All rights strictly reserved. Reproduction or issue to third parties in any form whatever is not permitted without written authority from the proprietor. Property of FCI. Copyright FCI.



RECOMMENDED MODULE LAYOUT

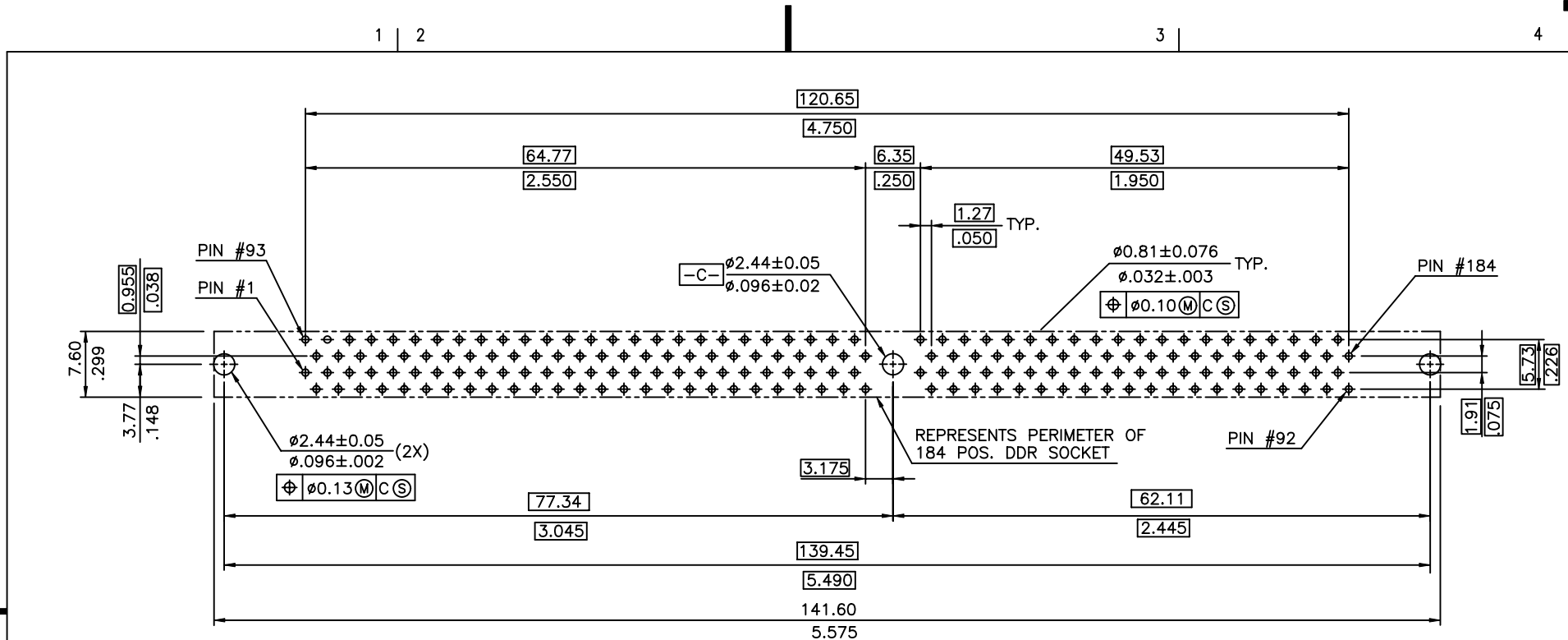


TYPE "R"	3.3 VOLT.
TYPE "L"	2.5 VOLT.
TYPE "C"	1.8 VOLT.
CENTER KEY	DESCRIPTION

mat'l. code		tolerances unless otherwise specified		CUSTOMER COPY		 www.fciconnect.com		
ltr	ecn no	dr	date	linear	.X ± 0.38/.015	projection	title	
A				linear	.XX ± 0.25/.010		DDR 184P V/T ASS'Y PLASTIC POST(FOR INTEL)	
				angles	.XXX ± 0.15/.005			product family
					0° ± 2°	MM	DDR	TWN
				dr	MAGGIE WU 12/11/02	scale	size	sheet
				engr	JEFF.HSIEH 12/11/02	1.5:1	dwg no	2 of
				chr	JEFF.HSIEH 12/11/02		10020410	
				appd	JENN TSAO 12/11/02			
sheet index	revision sheet						cage code	

Tous droits strictement reserves. Reproduction ou communication a des tiers interdite sous quelque forme que ce soit sans autorisation ecrite du proprietaire. Propriete de c FCI. Droits de reproduction FCI.

All rights strictly reserved. Reproduction or issue to third parties in any form whatever is not permitted without written authority from the proprietor. Property of FCI. Copyright FCI.



DDR ASSEMBLY PART NUMBER

10020410 - □ □ □ □

RECOMMENDED CIRCUIT BOARD HOLE LAYOUT

STYLE

- 1 : FOR 3.3 VOLT.
- 2 : FOR 2.5 VOLT.
- 3 : FOR 1.8 VOLT.

RESERVED

0

TAIL LENGTH

CODE	DIM. "B"	TOLERANCE
1	2.29 .090	±0.25 ±.01
2	2.79 .110	±0.25 ±.01
3	2.67 .105	±0.25 ±.01
4	3.05 .120	±0.25 ±.01

PLATING

CODE	CONTACT	SOLDERTAIL	UNDERPLATE	CODE	CONTACT	SOLDERTAIL	UNDERPLATE
2	15µ" (0.38µm) MIN. GOLD	100µ" (2.54µm) MIN. TIN/LEAD	50µ" (1.27µm) MIN. NICKEL OVERALL	7LF	15µ" (0.38µm) MIN. GOLD	100µ" (2.54µm) MIN. 100% TIN	50µ" (1.27µm) MIN. NICKEL OVERALL
3	30µ" (0.76µm) MIN. GOLD			8LF	30µ" (0.76µm) MIN. GOLD		
4	GOLD FLASH			9LF	GOLD FLASH		

COLOR OF HOUSING AND EJECTOR

- 0 : BLACK HOUSING + IVORY EJECTOR
- 3 : BLACK HOUSING + BLACK EJECTOR

mat'l. code				tolerances unless otherwise specified			CUSTOMER COPY		FCI www.fciconnect.com	
ltr	ecn no	dr	date	linear	.X ± 0.38/.015	projection	title DDR 184P V/T ASS'Y PLASTIC POST(FOR INTEL)			
C				angles	.XXX ± 0.25/.010		product family		code	
					.XXX ± 0.15/.005		MM	DDR		TWN
				dr	0° ±2°	scale	size	dwg no		sheet
				engr		1.5:1	A4	10020410		3 of
				chr						
				appd						
sheet index	revision sheet									